

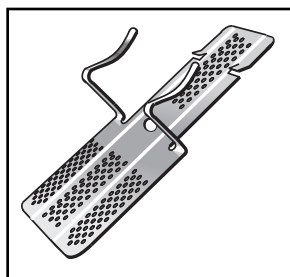
Hamilton Drywall Products

Prest-on®

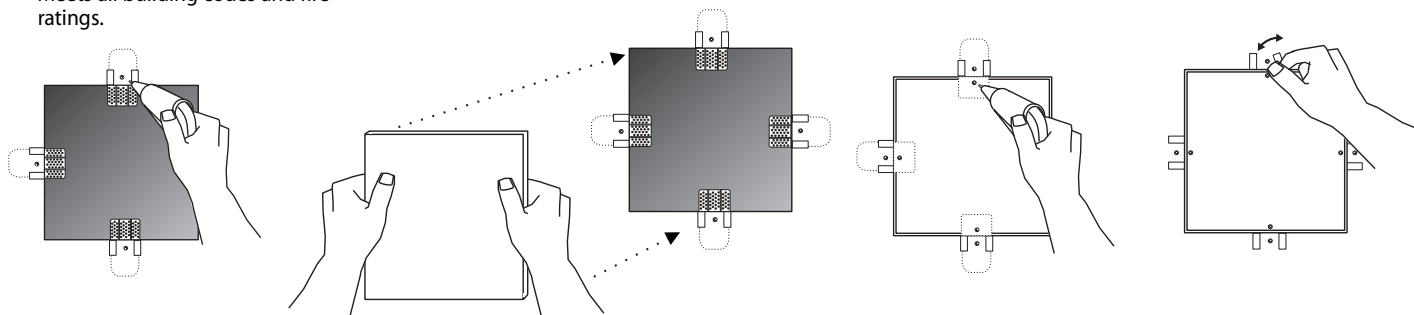
Drywall Fasteners

Insta-back Fastener

Insta-back fasteners make drywall repair quick and easy because cutouts can be reattached without cutting drywall back to the nearest stud (as shown in the illustrations below). Insta-backs make finished butt joints that are "bump free", and save time and money by reducing the number of joints to be finished. Meets all building codes and fire ratings.



Prod#	Desc	Pcs/Ctn	Ctn/Pallet	Unit	Wt/Ctn	Billing Price/Unit
71010	1/2"	200	50	CTN	10	\$26.00
71020	5/8"	200	50	CTN	10	\$26.00



1. Place fasteners as shown and secure with drywall screws 3/4" from the edge.

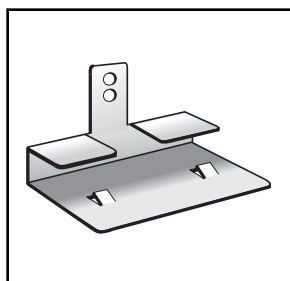
2. Replace drywall patch in hole.

3. Screw through patch into Insta-back fasteners 3/4" from the edge.

4. Bend Insta-back tabs back and forth until they snap off.

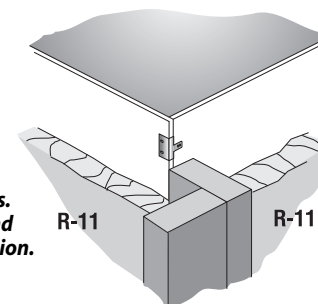
Corner-back Fastener

Corner-back fasteners save you time, money and materials by allowing you to eliminate one stud at almost every corner. By eliminating the need for corner back-up studs, Corner-backs permit corners to be fully insulated (as shown in the illustration at right). This means a significant reduction in thermal loss. Corner-backs also reduce costly callbacks due to ceiling/partition separation from truss uplift. Meets all building codes and fire ratings.



Prod#	Desc	Pcs/Ctn	Ctn/Pallet	Unit	Wt/Ctn	Billing Price/Unit
71030	1/2"	300	50	CTN	10	\$26.00
71040	5/8"	300	50	CTN	10	\$26.00

Corner-backs eliminate wood backup at corners and ceilings. The result is faster framing and faster, easier drywall installation.



Texturing, Benches,
Fasteners

SALES/ORDER INFORMATION

P: (360) 225-6888 • P: (877) 443-7683 • Main Fax: (800) 871-5007 • CS Fax: (877) 5-FAX-HDP
295 North Pekin Road • Woodland, Washington 98674 • www.hamiltonnw.com